

Overview

The DF701 sensor is designed for waste bin (Trash Bin) status detection of waste Bin indoor used. It detect the full/empty status for the customer of using place for the user.

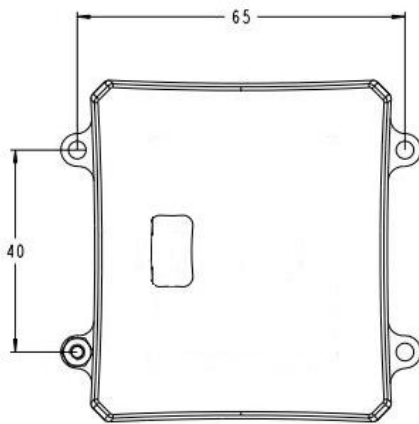
Widely applicable for hospitals,schools, campuses, dormitories, offices, shopping malls, hotels, stadiums, public spaces, etc

Key Features

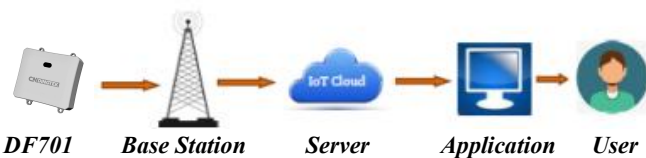
- ✓ Remote control and monitoring
- ✓ Wireless connectivity NB-IoT
- ✓ Low power consumption
- ✓ Battery powered
- ✓ Open protocol
- ✓ Easily accessible

Mechanical Size

Dimension: 67mm*59mm*23mm



Network Diagram



When the device detects the status of trash bin, it sends a frame to the base station, then base station forward to cloud server, then to application. Finally user can monitor the status remotely.



Specifications

- ✓ Color: Grey
- ✓ Shell Material:ABS
- ✓ Principle: Laser
- ✓ Detection Range: 1.5meters (White Target 88% reflectance level, Indoor)
- ✓ Blind area: ≤5cm
- ✓ Accuracy of height: 3cm
- ✓ Wireless NB-IoT Band: B3/5/8/20/28.
- ✓ Protocol: TCP/MQTT, optional.
- ✓ Internal Battery:Non-recharged Lithium Battery ER18505,4000mAh @ 3.6V
- ✓ Battery life: 2 years at 4 hours report interval.
- ✓ Operating Temperature: -20 ~ +70°C
- ✓ Storage Temperature:-40 ~ +85°C
- ✓ Protection Level:IP65

Application



Users can check data CNDINGTEK’s software application or their own software applications.